

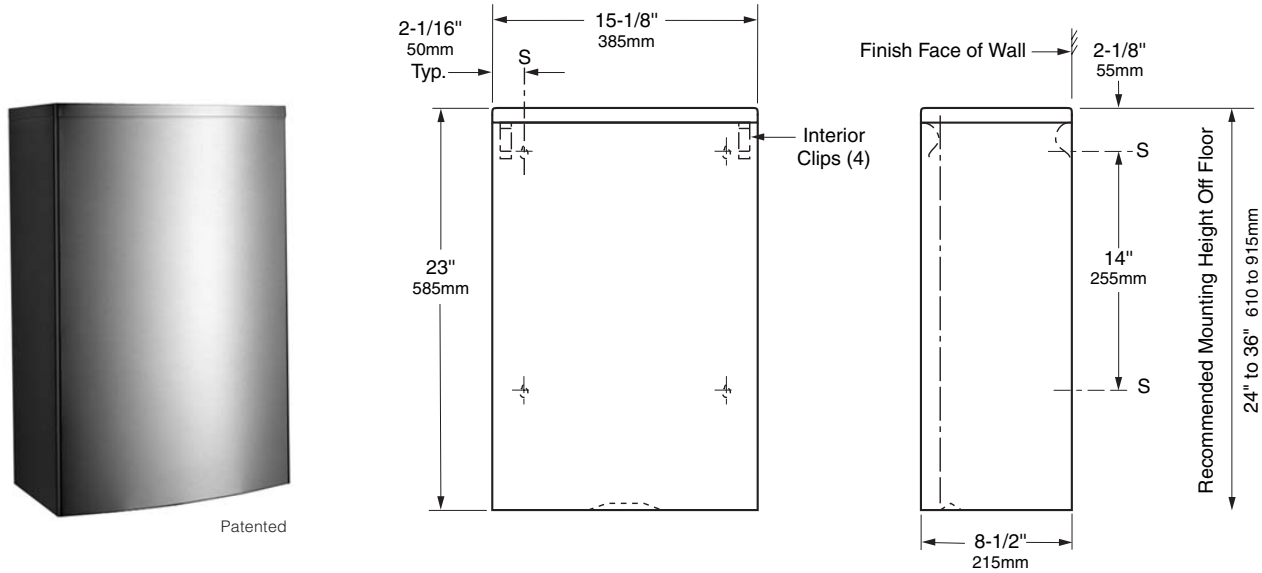


WWW.BOBRICK.COM

Technical Data

CONTURA™ SERIES SURFACE-MOUNTED WASTE RECEPTACLE

B-277



MATERIALS:

18-8 S, type-304, 20-gauge (1.0mm) stainless steel. All-welded construction. Exposed surfaces have satin finish. Front of waste receptacle has same degree of arc as other Bobrick Contura Series washroom accessories. Radius on side edges of waste receptacle complement other Contura Series accessories. Top edge hemmed and bottom has recessed finger grip. Stainless steel reinforcement straps on back of unit provide strength to the four mounting screw holes. Equipped with four spot-welded interior clips for securing furnished reusable vinyl liner. Capacity: 12-3/4"-gal. (48.3-L).

OPERATION:

Top edge is hemmed and bottom of waste receptacle has a recessed finger grip for safe handling. The space between bottom of waste receptacle and the floor when unit is properly mounted facilitates floor cleaning.

INSTALLATION:

Mount unit on wall with four sheet-metal screws (not furnished) at points indicated by an S. For plaster or dry wall construction, provide concealed backing to comply with local building codes and secure with sheet-metal screws. For other wall surfaces, provide fiber plugs or expansion shields for use with sheet-metal screws, or provide 1/8" (3mm) toggle bolts or expansion bolts.

SPECIFICATION:

Surface-mounted waste receptacle shall be type-304 stainless steel with all-welded construction; exposed surfaces shall have satin finish. Front of waste receptacle shall have same degree of arc and match other Bobrick Contura™ Series accessories in the washroom. Radius on side edges of waste receptacle shall complement other Bobrick Contura™ Series washroom accessories. Top edge shall be hemmed and bottom of waste receptacle shall have recessed finger grip for safe handling. Waste receptacle shall be equipped with interior clips for securing furnished reusable vinyl liner and shall have reinforced mounting screw holes. Capacity shall be 12-3/4"-gal. (48.3-L). Manufacturer's service and parts manual shall be provided to the building owner/manager upon completion of project.

Surface-Mounted Waste Receptacle shall be Model B-277 of Bobrick Washroom Equipment, Inc., Clifton Park, New York; Jackson, Tennessee; Los Angeles, California; Bobrick Washroom Equipment Company, Scarborough, Ontario; Bobrick Washroom Equipment Pty. Ltd., Australia; and Bobrick Washroom Equipment Limited, United Kingdom.