
Installation and Operating Instructions

Model PG-10

PILFERGUARD

Installation

1. **To Remove Cover:** Depress test button and lift cover out of slot.
2. Mark and drill holes as per template directions and drill sizes.
(5 for alarm unit, 2 for magnetic actuator)
3. For outside cylinder installation where required (go to Step 4 if not).
 - A. Drill a 1¼" hole as shown on template.
 - B. Install a rim type cylinder through the door and allow flat tailpiece to extend 1" inside door.
 - C. Position cylinder so that keyway is vertical (horizontal if PG-10 is installed horizontally).
 - D. Hold PG-10 in position over mounting holes and note that outside cylinder tailpiece is centered in clearance hole in base of PG-10 (rotate cylinder 180° if not).
 - E. Tighten outside cylinder mounting screws.
4. Install PG-10 and magnetic actuator with 7 screws.
5. Install threaded (mortise) cylinder (1¼" long) in PG-10 cover using hardware supplied (see Figure 1).
Key way must be horizontal so that tailpiece extends towards center of unit when key is turned.
6. Move slide switch to "OFF" (see Figure 2).
Connect battery.
Hook cover on end slot and secure with two cover screws.

Note: One of these screws acts as tamper alarm trigger so be sure screws are fully seated.
This completes the installation, procede to "check-out".



ALARM LOCK
345 Bayview Avenue, Amityville, New York 11701

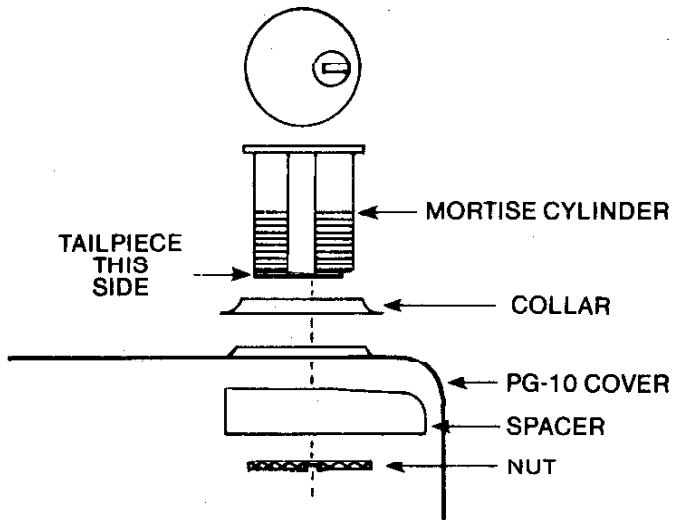


Figure 1

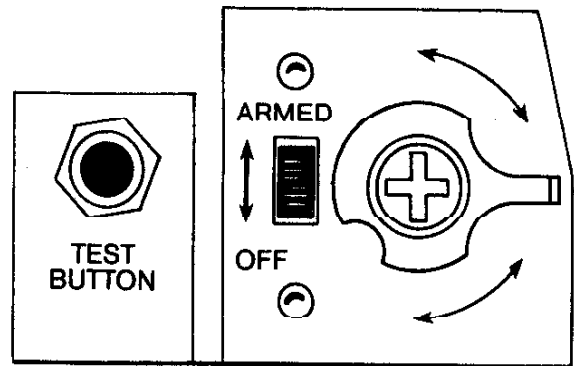


Figure 2

Check-Out and Operation

1. With slide switch in "OFF" position, depress test button – horns should sound.
2. To test using magnetic actuator:
 - A. Close Door.
 - B. Arm PG-10 by turning key clockwise 170 degrees.
 - C. Open door, alarm should sound.
 - D. Close door, alarm should remain sounding.
 - E. Silence alarm by turning key counterclockwise until it stops.
3. Close door and re-arm PG-10 by turning key clockwise until it stops.
4. **Periodic Test:** Unit should be tested weekly using test button to insure battery is operational.
Note: Test button only operates when PG-10 is turned off.

Special Conditions

Steel Frames - It is sometimes necessary on steel frames to install a non-magnetic shim between the magnetic actuator and the frame. This is done to prevent the steel frame from absorbing the magnets' magnetic field, which could cause a constant alarm condition or occasional false alarms.

The shim should be ½" by 2½" by ⅛" thick and may be constructed from plastic, bakelite or aluminum.

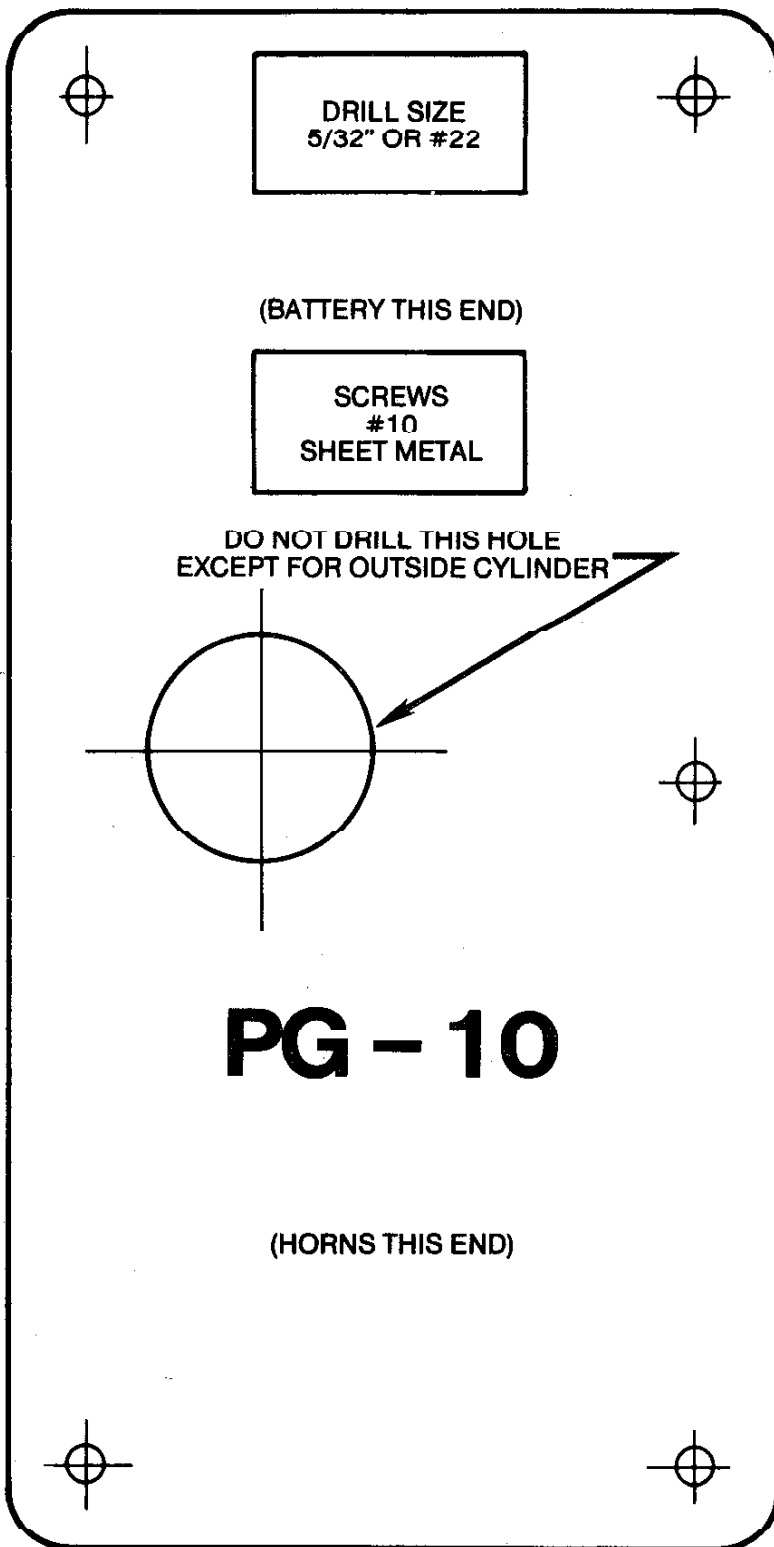
D.R.

INSTALLATION TEMPLATE

ONLY 

FOR SINGLE OUTSWINGING DOORS
RIGHT OR LEFT HAND - ALSO TOP MOUNT

 **ONLY**



FOLD UP ON SOLID LINE AND
HOLD AGAINST DOOR AND STOP




MARK FOR ALARM
AND ACTUATOR



ALARM LOCK CORPORATION

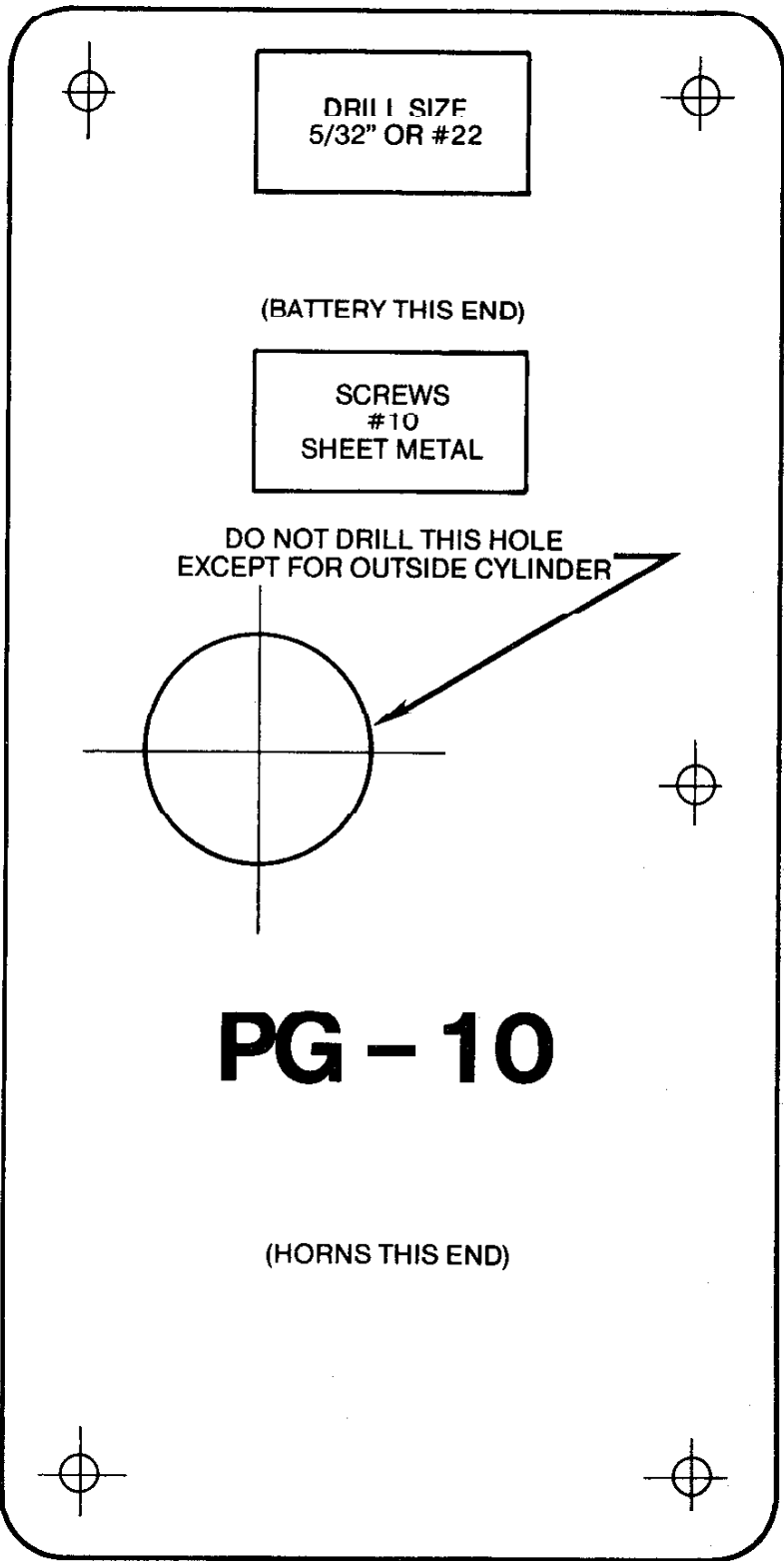
333 BAYVIEW AVE. AMITYVILLE, N. Y. 11701

INSTALLATION TEMPLATE

ONLY 

FOR PAIRS OF OUTSWINGING DOORS
FOR PAIRS OF INSWINGING DOORS
FOR SINGLE INSWINGING DOORS
RIGHT OR LEFT HAND

 **ONLY**



LAY FLAT ON DOOR WITH SOLID LINE
EDGE OF INACTIVE DOOR (OR DOOR FRAME)



DO NOT FOLD UP
USE FLAT ON DOOR