

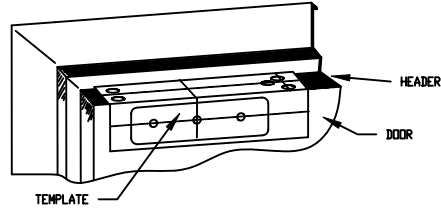
LOCKNETICS. 70 SERIES MAGNETIC LOCK

TEMPLATE & INSTALLATION SHEET

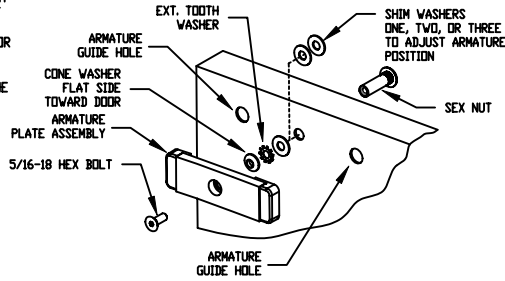
NOTE: MAGNET AND ARMATURE PLATE MUST MATE WHEN DOOR IS IN CLOSED (AND LATCHED) - IF APPLICABLE) POSITION. ADJUSTMENT IS BY ADDING/SUBTRACTING SHIM WASHERS.

THE MAGNET IS POWERED BY 12 OR 24 VDC ONLY. LOCKNETICS OFFERS SEVERAL POWER SUPPLIES WHICH CAN BE USED TO POWER MAGNETIC LOCKS. MAGNETIC LOCKS ARE USUALLY CONTROLLED BY AN ACCESS CONTROL READER (CARD/PROX, ETC.) AND AN EGRESS DEVICE SUCH AS AN EXIT DEVICE WITH A SWITCH, PUSHBUTTON AND/OR MOTION DETECTOR. IN MOST CASES IT IS REQUIRED THAT ACTIVATION OF THE BUILDING FIRE ALARM SYSTEM CAUSE ALL MAGNETIC LOCKS TO UNLOCK. CONSULT LOCAL AUTHORITY HAVING JURISDICTION REGARDING SYSTEM REQUIREMENTS FOR LOCAL LIFE SAFETY AND ELECTRICAL CODES.

- 1 PLACE TEMPLATE ON DOOR AND FRAME AS SHOWN. LEAVE ROOM IF REQUIRED FOR EXISTING DOOR HARDWARE SUCH AS VERTICAL ROD PANIC HARDWARE, ETC. DRILL REQUIRED HOLES.



- 2 INSTALL ARMATURE PLATE ASSEMBLY. NOTE THAT ARMATURE PLATE ASSEMBLY MUST PIVOT ABOUT THE MOUNTING BOLT. THIS IS TO ALLOW THE MAGNET AND ARMATURE TO MATE WHEN THE DOOR IS CLOSED. IF THE ARMATURE DOES NOT PIVOT CHECK TO SEE THAT THERE IS NO BINDING IN THE 1/2" ARMATURE GUIDE HOLES AND THAT THE HARDWARE IS INSTALLED CORRECTLY.

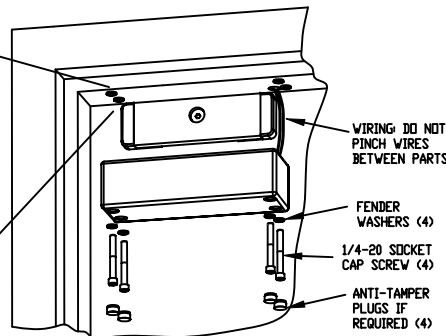
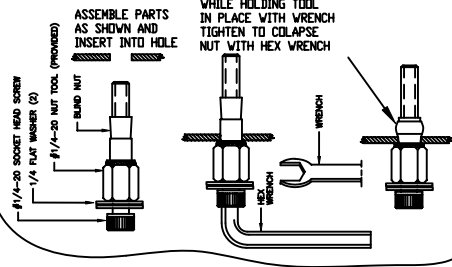


- 3 MAKE WIRING CONNECTIONS

WIRING:	
RED (+)	0.300 AMP @ 12VDC
BLACK (-)	0.150 AMP @ 24VDC
WHITE:	MBS C
GREEN:	MBS ND } 1 AMP MAX.
ORANGE:	MBS NC } @ 30VDC
YELLOW:	DSM C
BLUE:	DSM ND } 0.10 AMP MAX.
BROWN:	DSM NC } @ 30VDC

- 4 INSTALL MAGNET

INSTALL FOUR BLIND NUTS AS SHOWN

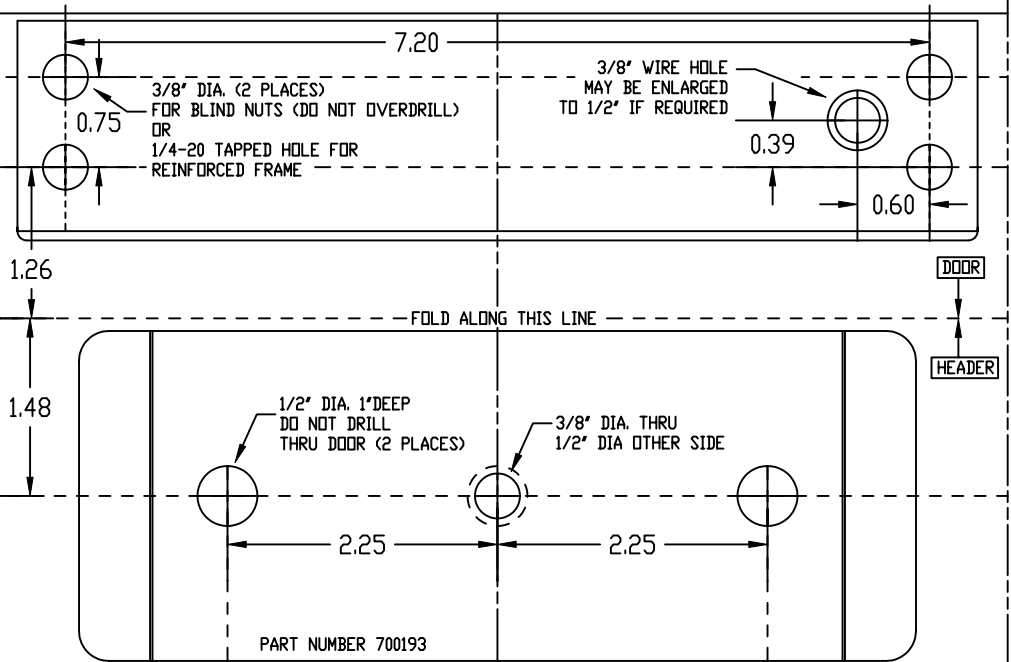
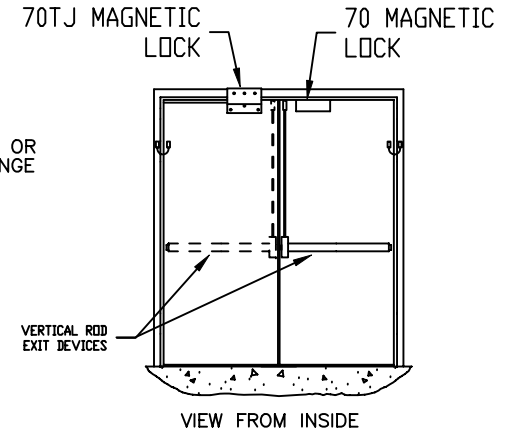
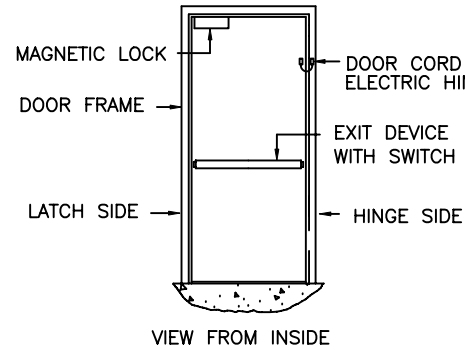


PART NUMBER 700193

STANDARD SINGLE DOOR

DOUBLE EGRESS DOOR

MAGNET IS TYPICALLY LOCATED NEAR THE LATCH SIDE OF THE DOOR FOR MAXIMUM LOCKING POWER. IF CONDITIONS REQUIRE IT THE LOCK CAN BE MOUNTED VERTICALLY. CONSULT LOCAL AUTHORITY HAVING JURISDICTION TO ENSURE COMPLIANCE WITH LOCAL LIFE SAFETY AND ELECTRICAL CODES.



PART NUMBER 700193