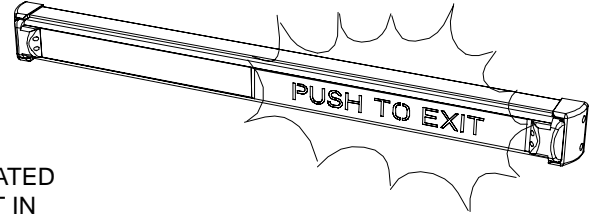
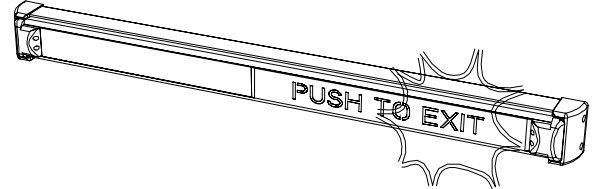


NORMALLY "PUSH TO EXIT"
 IS BACKLIT IN RED...



WHEN DEVICE IS ACTIVATED
 THEN "EXIT" IS BACKLIT IN
 GREEN...



GENERAL DESCRIPTION: The 692 Series TouchBar is a non-latching releasing device which uses two photo beams to detect intention to exit. Breaking either or both beams will deactivate the relay. Loss of power to the device will also deactivate the relay. It is most often used as a switch to release a magnetic lock. Models with the "BRG" option have a "PUSH TO EXIT" sign is backlit in red. When the the beam is blocked the word "EXIT" is backlit in green. A double pole output is standard. The device can be ordered to fit a specific door opening. A 24-inch (minimum) pre-connected cable comes standard to make installation easier. These devices are to be installed in accordance with the applicable codes and the local authorities having jurisdiction. It is up to local authority having jurisdiction whether this can be installed in lieu of panic hardware.

ELECTRICAL SPECIFICATIONS:	INPUT RATING:	12/24 VOLTS DC @500mA MAX.
	CONTACT RATING:	4 AMPS @ 30 VDC

WHAT MODEL DO YOU HAVE?

EXAMPLE:

692-36-628-BRG-RHR-WD

HANDING:

RHR or LHR (Shown above)
 to change hand (if required) see page 2.

OPTIONS:

- CA 16 foot cable attached to device
- AR 16" armored door cord (no wire)
- WD Sex nuts/screws for wood or hollow metal door applications

PUSHPAD:

- BL BLANK
- RD RED EXIT
- GR GREEN EXIT
- WH WHITE EXIT
- GID GLOW IN DARK EXIT
- BRG "Backlit RED/GREEN"

DOOR WIDTH:

- 36"
 - 42"
 - 48"
 - SP-Special size (31"-48")
- Note: this dimension is the nominal door width, not the length of the device.

BAR FINISHES:

- 628 Satin aluminum, clear anodized
- 313 Dark Satin Bronze, anodized

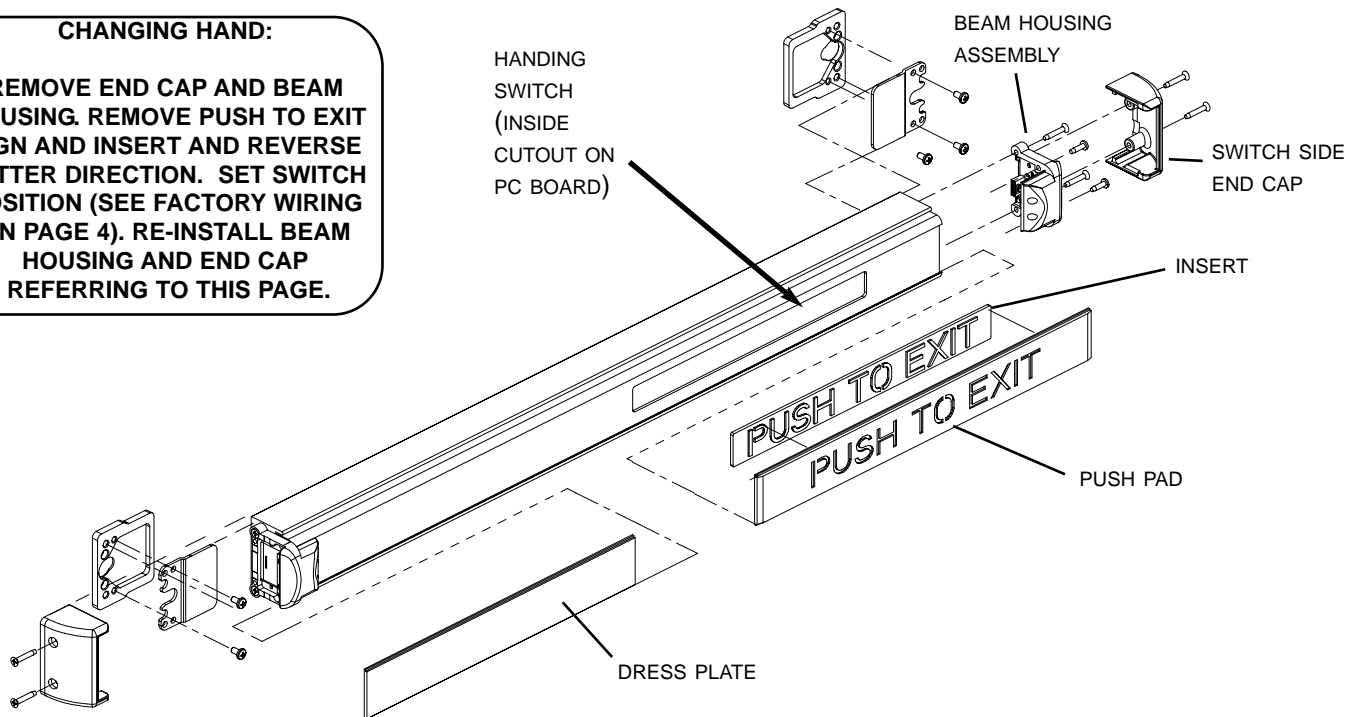


STEP 1 VERIFY CORRECT HAND.

Note: devices ordered specifically for the job should not need to be handed.

CHANGING HAND:

REMOVE END CAP AND BEAM HOUSING. REMOVE PUSH TO EXIT SIGN AND INSERT AND REVERSE LETTER DIRECTION. SET SWITCH POSITION (SEE FACTORY WIRING ON PAGE 4). RE-INSTALL BEAM HOUSING AND END CAP REFERRING TO THIS PAGE.

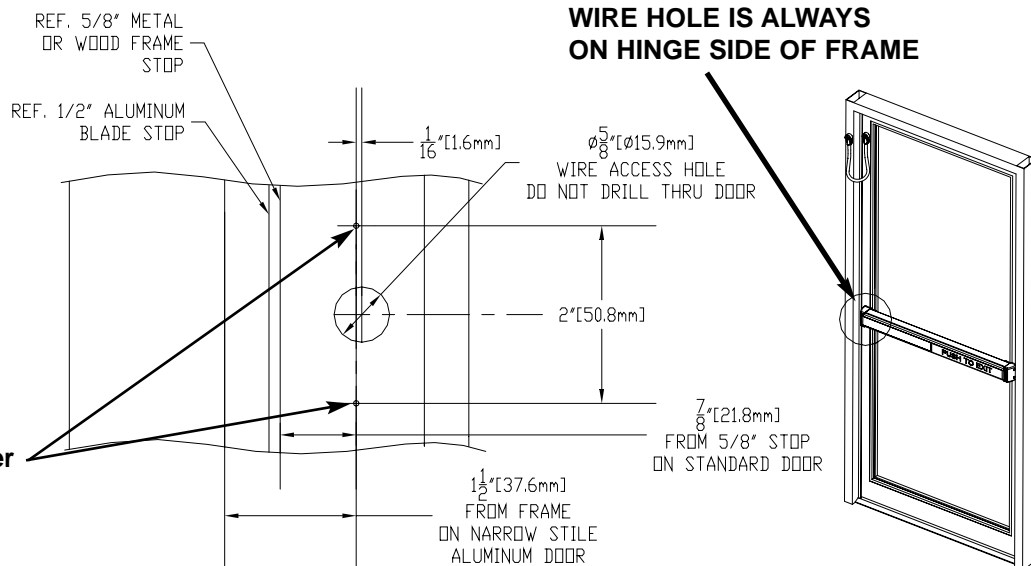


SEE BACK COVER FOR COMPLETE EXPLODED VIEW.

STEP 2 LOCATING AND DRILLING THE WIRE HOLE

- On the **hinged-side** of door, mark a horizontal centerline at the desired height for the TouchBar.
- Place a space adapter plate over the centerline.
- Center wire hole in the adapter plate with the centerline that was marked on door. (See below)
- Mark center of wire hole and center of one mounting hole.
- Drill a 5/8" wire access hole at wire hole mark. **DO NOT DRILL WIRE HOLE THRU DOOR.**

WIRE HOLE LOCATION:

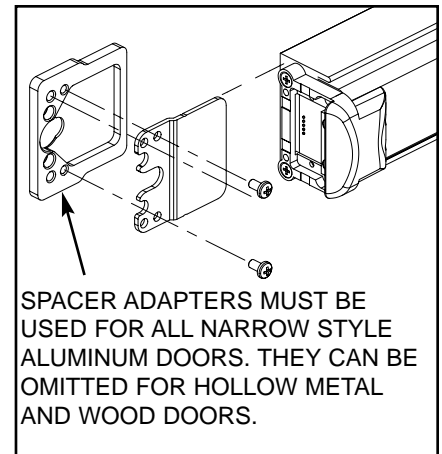
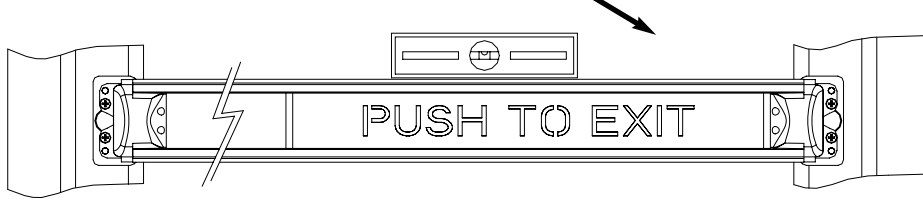


Note that hole size depends on fastener type (SEE STEP 3).

STEP 3 MARK AND DRILL MOUNTING HOLES

Fasten TouchBar to door. There are three methods of fastening the device to the door:

USE A LEVEL WHEN MARKING HOLES



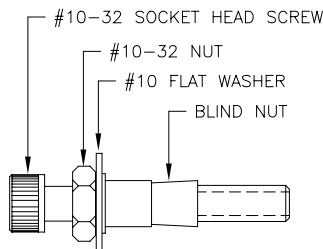
SELF DRILLING SELF TAPPING SCREWS:

- Hold device in position determined in step 3.
- Using a powered screw driver, screw in one screw on one side.
- Level the device. Secure other side with self drilling screw.
- Install remaining two screws.

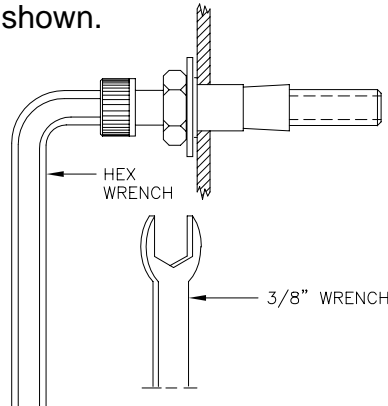
BLIND NUT INSTALLATION:

- Drill four 9/32" holes *on device side only* of door in positions marked in step 3.
- Install blind nuts as shown to right.
- Secure device using #10-32 socket cap screws.

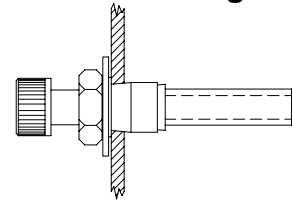
I. Assemble tool to install blind nut as shown using the parts supplied.



II. Install blind nut assembly into pre-drilled 9/32" hole in door. Hold the socket head screw firmly with the hex wrench to prevent rotations as shown.



III. Using a 3/8" wrench, rotate the nut clockwise until the nut collapses against the inside of the door skin. Some resistance will be felt. **Carefully tighten until nut is secure. Do not overtighten.**



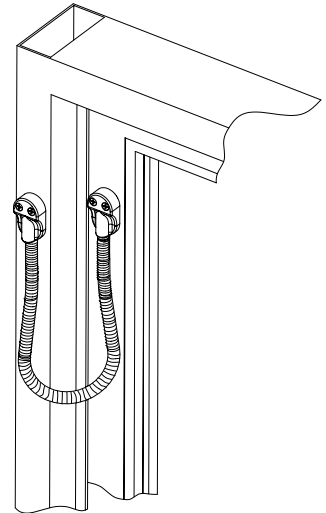
WD OPTION - SEX NUTS FOR WOOD DOORS:

- Drill four 3/8" holes thru door in positions marked in step 3.
- Using a rubber mallet, hammer in sex nuts from opposite side of door.
- Secure device using #10-32 socket cap screws.

STEP 4: WIRING

Provision must be made to get wiring to the device on the door. Common methods are an electric hinge, door cord, or power transfer device. Make wiring connections as required by the system wiring diagram.

See next page for typical wiring methods.

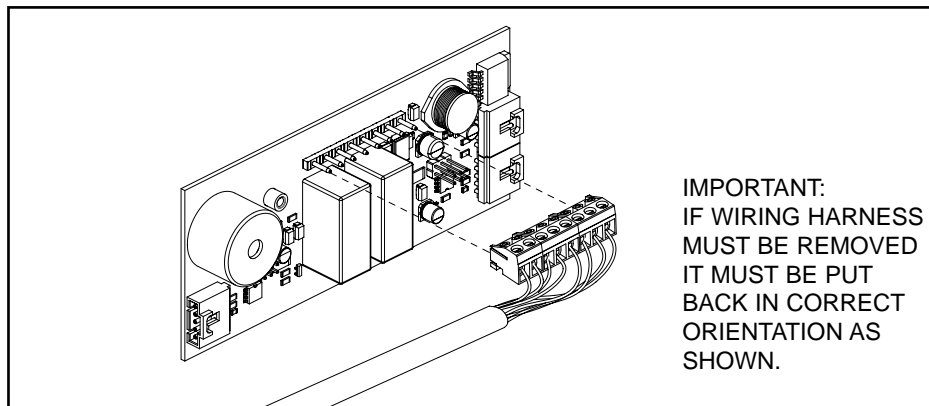
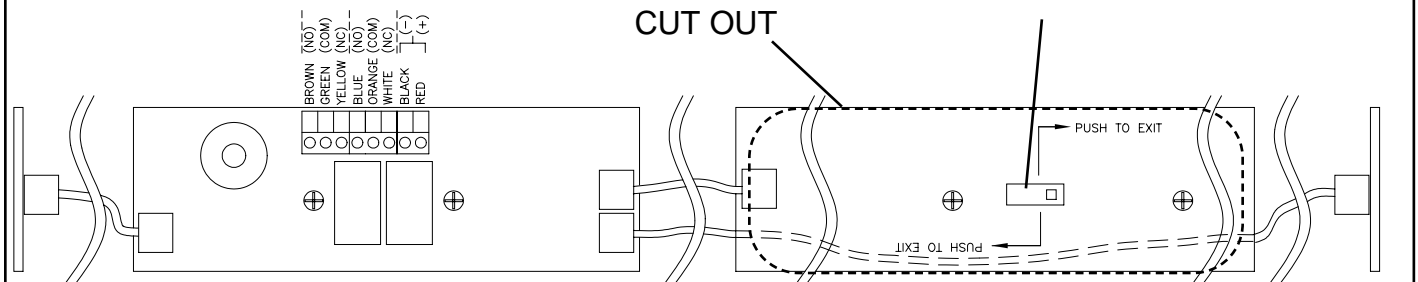


“AR” OPTION

FACTORY WIRING:

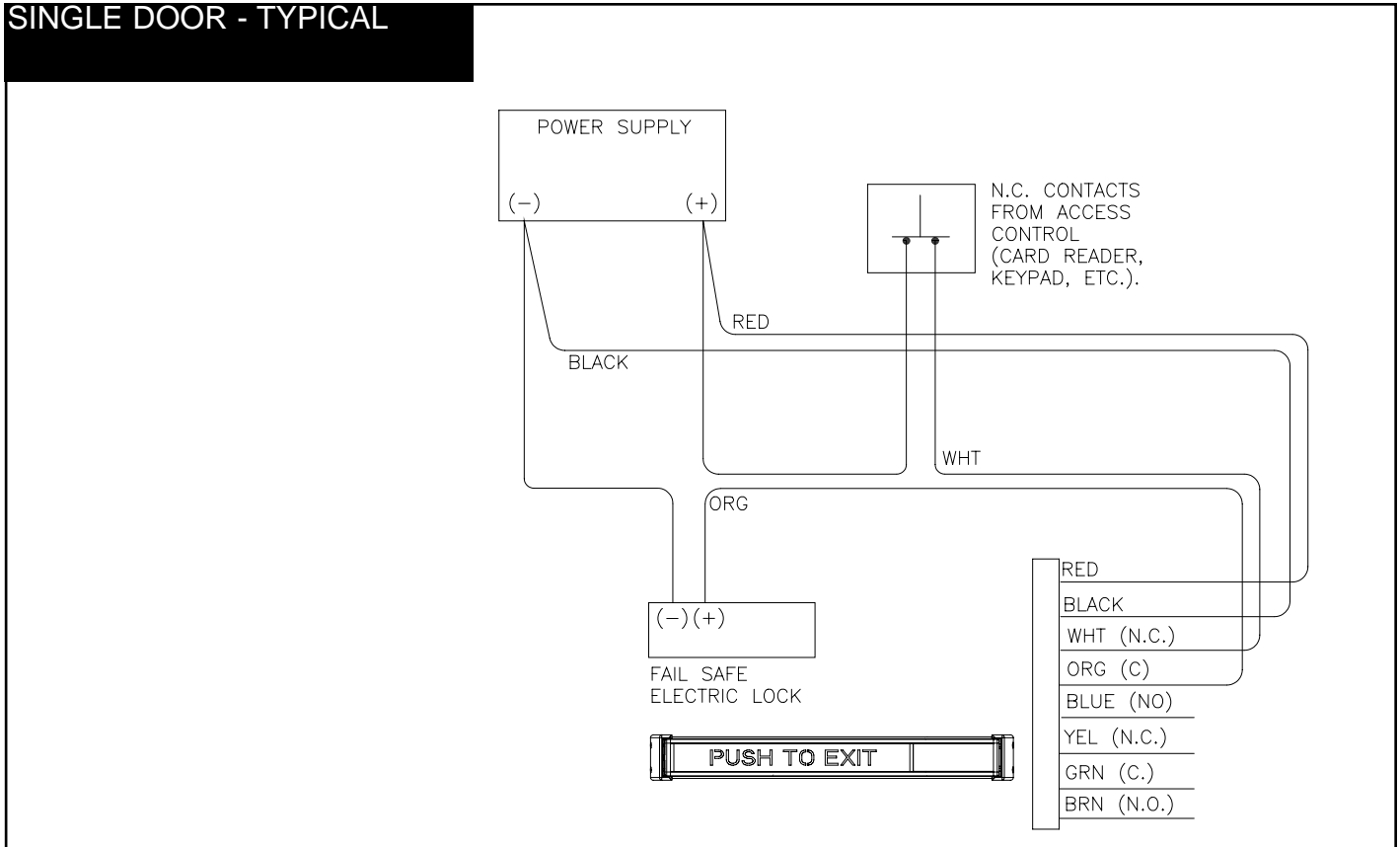
THIS INFORMATION IS SHOWN FOR TROUBLE-SHOOTING PURPOSES. DO NOT MODIFY FACTORY WIRING.

HANDING SWITCH FOR LIGHTS MUST BE IN CORRECT POSITION: SLIDE TOWARD SIDE WITH LETTERS IN CORRECT ORIENTATION.

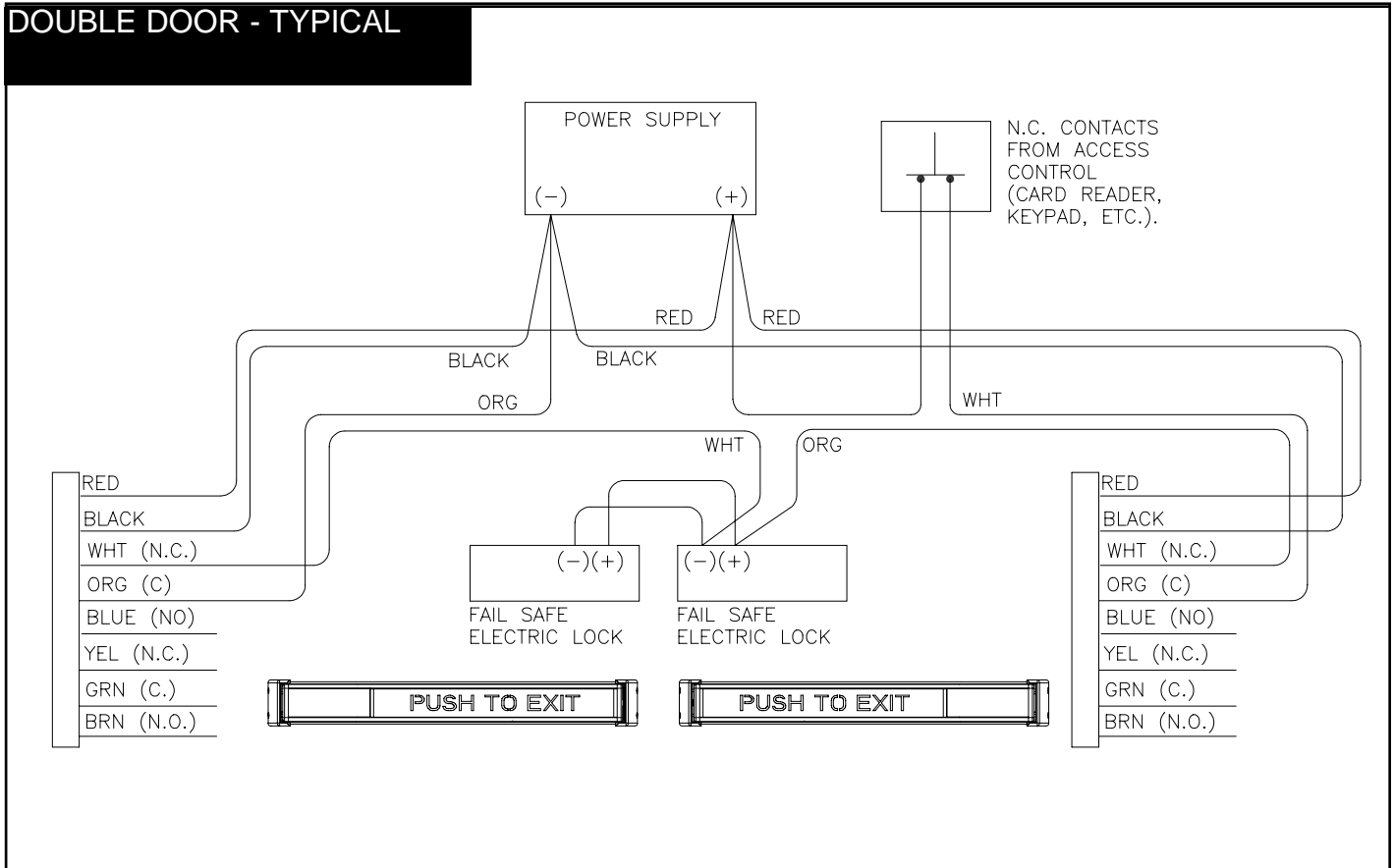


IMPORTANT:
IF WIRING HARNESS
MUST BE REMOVED
IT MUST BE PUT
BACK IN CORRECT
ORIENTATION AS
SHOWN.

SINGLE DOOR - TYPICAL



DOUBLE DOOR - TYPICAL



TROUBLE-SHOOTING TIPS:

PROBLEM:

“PUSH” lights instead of “Exit” when pushed
 No lights - door unlocked
 CONTINUOUS BEEPING
 BEEPS TWICE INTERMITTENTLY
 BEEPS AND CLICKS ON POWERUP
 DOES NOT WORK W/ POWER APPLIED

CHECK:

SW1 not set right (see factory wiring, below)
 No power to device. Check wiring.
 Beam blocked for more than 15 seconds.
 Too much light getting into detector.
 Normal self-test.
 Cycle power off then on again. (Always have good connections before applying power.)

PARTS BREAKDOWN

