

Keyswitch Access Devices

650 Series Keyswitches

Patent #: 6689972

Magnetic Spring Design
provides ultimate
installation flexibility



Available in
six architectural finishes

5AMP@250VAC,
dual voltage,
SPDT contacts



653 Single Gang

653-NS Narrow Stile

Locknetics 650 Series Keyswitches utilize an innovative magnetic spring design which allows installers to configure both clockwise and counterclockwise key turn direction as well as momentary or maintained action in seconds. Single gang and narrow stiles are available with numerous options which include: Heavy Duty Plate, Weather Resistant Cover (single gang size only), 2 LED lights - green/red, Anti-Tamper Switch and Schlage

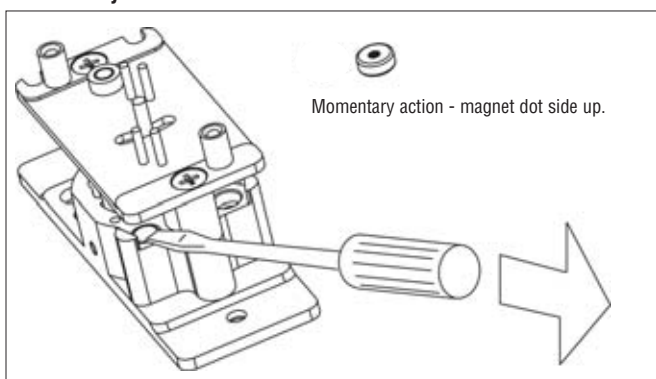
Everest Cylinder. In addition to the standard (626) Satin Chrome finish, there are five additional architectural finishes to choose from.

Benefits of Using Locknetics Keyswitch Access Devices

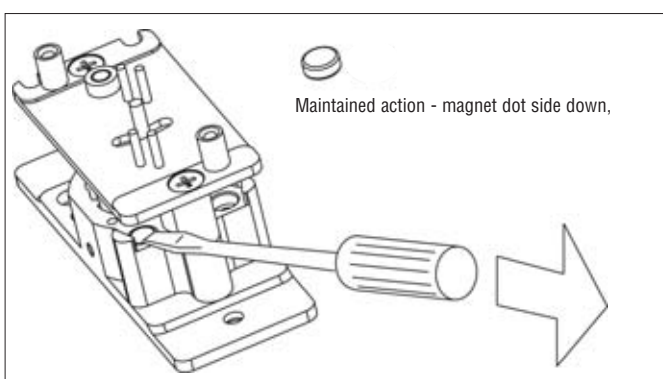
- *Easy to install and maintain*
- *Single gang and narrow stile offer ultimate flexibility*
- *Multiple options available for a wide variety of applications*

Innovative magnetic spring technology allows installers to configure models in seconds

Momentary Action



Maintained Action



Keyswitch Access Devices

650 Series Keyswitches

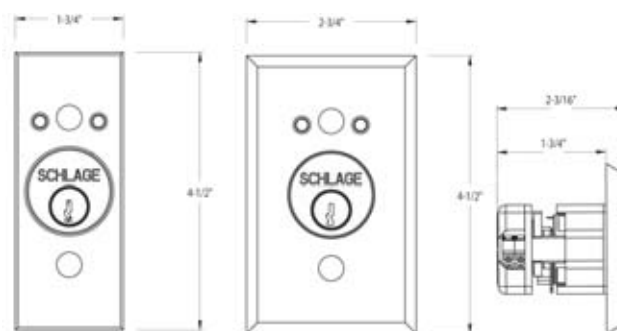
How To Order 650 Series Keyswitches

653-04 – ATS – SF-605

Select Model
Select Option
Select Finish

1. Select Model

- 653-04** SPDT maintained single direction
- 653-05** SPDT momentary single direction
- 653-14** DPDT maintained single direction
- 653-15** DPDT momentary single direction
- 653-1414** (2) DPDT maintained bi-direction
- 653-1415** DPDT maintained x DPDT momentary
- 653-1515** (2) DPDT momentary bi-direction
- 653-041** SPDT maintained x key remove one position
- 653-0404** (2) SPDT maintained bi-direction
- 653-0405** SPDT maintained x SPDT momentary
- 653-141** DPDT maintained x key remove one position
- 653-0505** (2) SPDT momentary bi-direction



653-NS Narrow Stile

653 Single Gang

2. Select Option

- L2** 2 LEDs green and red, dual voltage
- NS** Narrow Stile - stainless steel plate (1³/₄" x 4¹/₂")
- ATS** Anti-Tamper Switch
- HDP** Heavy Duty Plate 1/4" thick cast zinc (standard 626 Satin Chrome Finish with anti tamper plugs)
- WP** Weather Resistant Cover fits 1¹/₈" cylinder only (not available with NS and L2 Options)
- CYL** 1-1/4" Schlage Everest[®] Mortise Cylinder & 1/8" spacer ring (keyed different)
- CYL-KA** 1-1/4" Schlage Everest Mortise Cylinder & 1/8" spacer ring (keyed alike)

Note: 650 Series Keyswitches operate with either a 1-1/8" or 1-1/4" cylinder having a straight type cam. 1-1/4" cylinders require a 1/8" blocking/spacer ring (included with the CYL and CYL-KA options).

3. Select Finish

- SF-626** Satin Chrome (*standard*)
- SF-605** Bright Brass
- SF-612** Satin Bronze
- SF-613** Oil Satin Bronze
- SF-625** Bright Chrome
- SF-2** Black Powder Coat

Specifications:

Standard keyswitch

5 amp@250 VAC,
dual voltage,
SPDT contacts

ATS switch closes when cover is on 0.025A@28VDC

LED Indicator Lights operate at 12/24 VDC 0.025A@28VDC